

Express[®]

Fast charge solutions that WORK!

MEASURE  POWER  REPORT  SUPPORT



TwinMAX[®]

Powerful. Proven. Trusted.

The TwinMAX[®] is the only dual fast charger that allows you to simultaneously charge two batteries at up to 500 amps each. Its multi-voltage, multi-amp hour, high frequency design can grow with your needs, while providing:

- Low infrastructure cost
- High efficiency rating
- Stands, cables and everything you need right out of the box

Drivers simply drive up and plug in – the TwinMAX charger does the rest, automatically keeping your battery fleet charged and equalized.

PART OF *THE ZERO BATTERY CHANGE SOLUTION*[™]



TwinMAX®

MODELS	TwinMAX 10	TwinMAX 15	TwinMAX 20	TwinMAX 30
MAXIMUM OUTPUT POWER	20 kW	30 kW	40 kW	60 kW
MAXIMUM OUTPUT POWER PER STATION	10 kW	15 kW	20 kW	30 kW
MAXIMUM OUTPUT CURRENT PER STATION @ 24V	250 Amps	320 Amps	500 Amps	500 Amps
@ 36V	250/215* Amps	320 Amps	500/430* Amps	500 Amps
@ 48V	200/165* Amps	320/260* Amps	500/320* Amps	500 Amps
@ 80V	120/100* Amps	180/150* Amps	300/200* Amps	300 Amps

*Power sharing feature: Max current value for single vehicle charging/Max current value for dual vehicle charging.

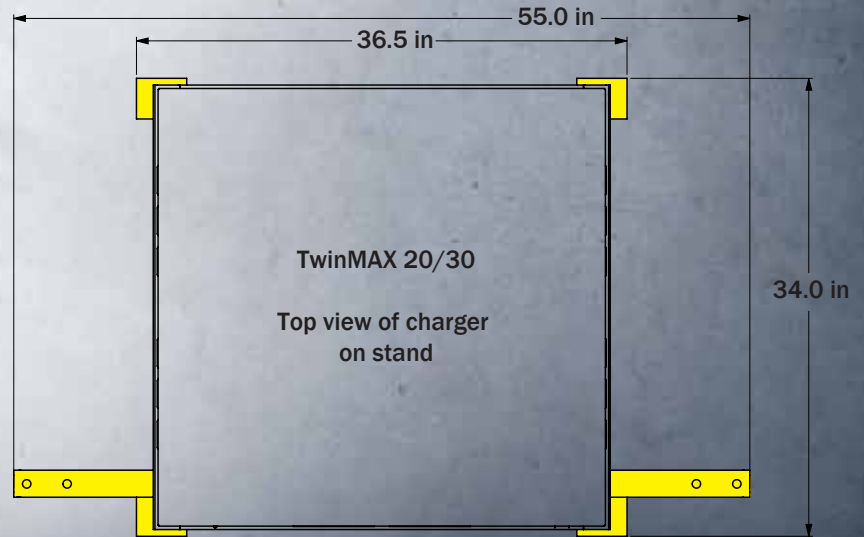
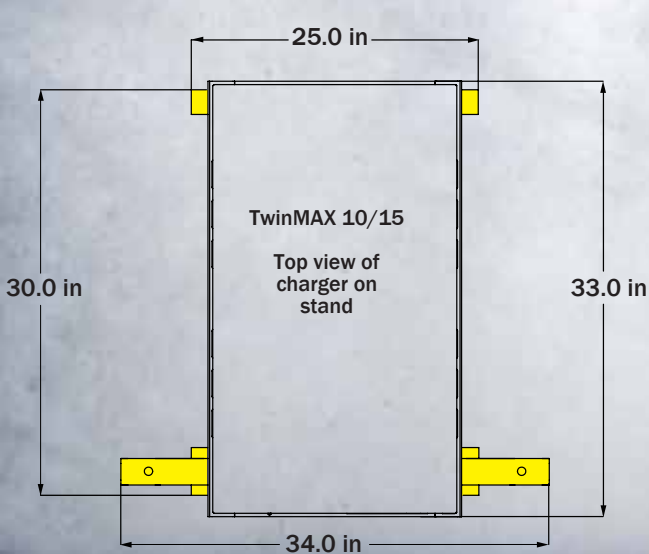
UTILITY REQUIREMENTS

480VAC, 60HZ, 3Ø (MAX DRAW)	29 Amps	43 Amps	57 Amps	73 Amps
600VAC, 60HZ, 3Ø (MAX DRAW)	23 Amps	34 Amps	46 Amps	57 Amps

Recommended breaker: Square D type EDB or equivalent. Recommended fuse: Bussmann type FRSR or equivalent.

BOTH UNITS

EFFICIENCY	92%			
POWER FACTOR	0.95			
COMPATIBLE BATTERY TYPE	Lead acid-flooded cell, 24 to 80 volts			
POWER DEVICE	High Frequency IGBT			
CONTROL	Manual to fully automatic control of charge, finish and equalization			
OPERATING TEMPERATURE	32°F TO 104° F (0°C TO 40°C)			
ENCLOSURE	NEMA 1			
DISPLAY	Backlit LCD			
CERTIFICATIONS	UL/cUL			
DATA CAPABILITY	Charge event data uploaded via Bluetooth® or ExpressLink™			
WEIGHT	460 lbs	570 lbs	1100 lbs	1150 lbs
DIMENSIONS W X D X H (IN)	22.5 x 33.0 x 27.4	22.5 x 33.0 x 27.4	33.0 x 32.0 x 52.0	33.0 x 32.0 x 52.0
WITH STAND W X D X H (IN)	33.8 x 33.0 x 62.0	33.8 x 33.0 x 62.0	54.0 x 34.0 x 74.0	54.0 x 34.0 x 74.0
WARRANTY	2 years parts and labor on electronic components 5 years parts only on diodes and IGBT 10 years parts only on main transformer			



EnerSys®

Power/Full Solutions

EnerSys WORLD HEADQUARTERS
2366 Bernville Road
Reading, PA 19605
Phone: 1-800-EnerSys
Fax: 610-372-8613
www.enersysmp.com

EnerSys CANADA INC.
61 Parr Boulevard Unit 3
Bolton, Ontario • Canada L7E 4E3
Phone: 1-800-363-4877
Fax: 905-951-4441

EnerSys DE MEXICO SA DE CV
Ave Lopez Mateos #4210
Colonia Casa Blanca • C.P. 66475
San Nicolas de los Garza, N.L. Mexico
Phone: 011-52-818-329-6400
Fax: 011-52-818-329-6489