

A great alternative to sit-down trucks for applications demanding tight aisle racking, extensive product shuttling or frequent maneuvering in and out of trailers

Tight turns with full traction control and dual drive tires for improved maneuverability

Fatigue-reducing features in the operator compartment including padding for knees, back and armrest, padded floor mat and low-step height for easy entry and exit

State-of-the-art, multi-functional control handle allows operator to work three functions simultaneously

Powerful 3-phase AC technology built into the drive control, hydraulic and steering system



ETG 230–355

Stand-Up End Control Lift Truck (3000 - 5500 lb.)

The ETG 230 – ETG 355 series of stand-up counterbalanced lift trucks from Jungheinrich are an ideal material handling solution for a wide range of heavy-duty industrial applications. From shuttling goods to loading trailers, this truck has the flexibility to move large loads in confined spaces.

The key advantages:

- Higher performance due to 3-phase AC technology. AC motors require no carbon brushes, which eliminates the cost of replacements, reduces the need for servicing and allows for longer operating times.
- Greater productivity is also achieved through a space-saving design. This means the trucks can work in smaller aisles than a traditional sit-down counterbalanced truck, leaving more space available for products.

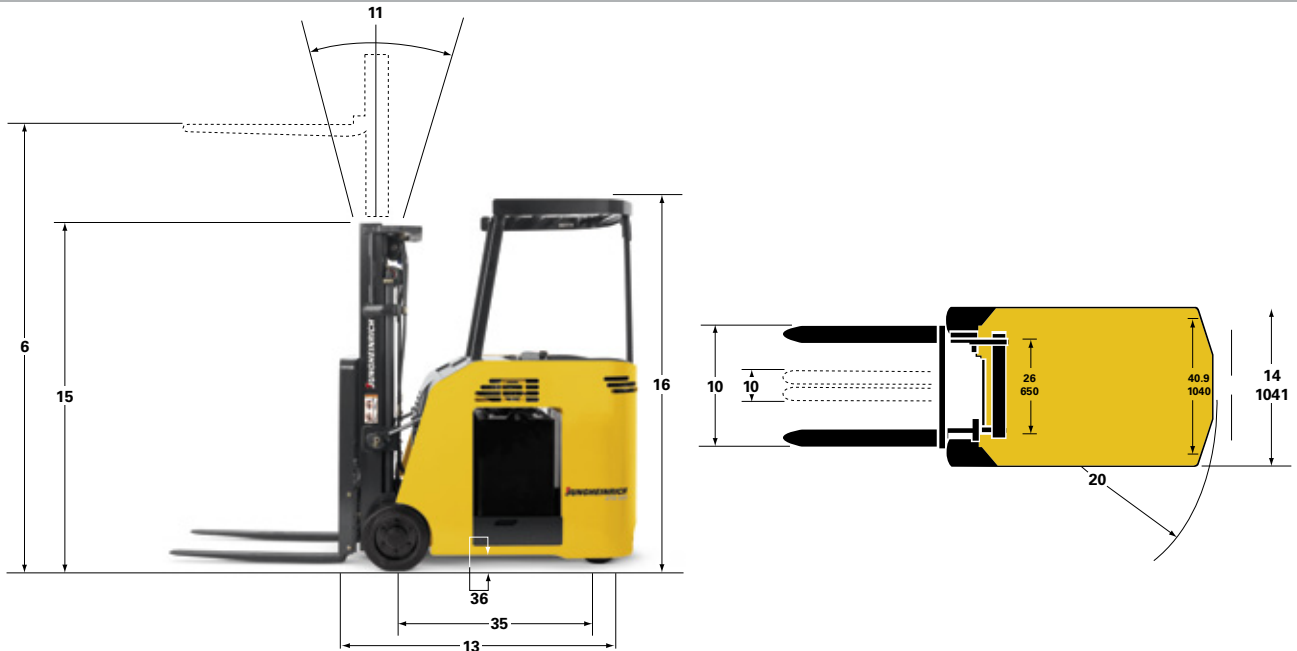
- Operators are more relaxed and productive largely due to the ergonomic compartment that minimizes operator fatigue. From the low step height, to the steering wheel which does not encroach into the operator space and to the intuitive, multifunction control handle, the operator benefits from the excellent design.
- The clear operator display shows all the information needed to perform the task at hand. In addition, it allows operators to select a number of pre-programmed drive and hydraulic settings to customize the truck for a particular application or operator skill level. All information is immediately displayed, contributing to the operator's overall awareness – increasing confidence and leading to a more productive work environment.

- The ETG features a high-visibility, heavy-duty mast with durable rollers and mast rails designed to meet your most demanding applications. Combined with hydraulic cushioning in the mast staging functions, operators can precisely and securely position loads at all lift heights.

The ETG 230 – ETG 355 stand-up end control lift truck delivers greater productivity in any application where space is at a premium. Its space-saving design means the truck can stack and retrieve goods efficiently in narrow aisles and at high lift heights. Operators can also customize the drive and hydraulic settings to suit the application and their level of experience.

 **JUNGHEINRICH**

ETG 230-355



Mast Table ETG 230/ETG 235

Designation	Maximum Fork Height		Overall Lowered		Overall Extend Height				Free Lift				Tilt Angle
	(MFH)		(OAL)		w/ Load Backrest		w/o Load Backrest		w/ Load Backrest		w/o Load Backrest		F°/B°
	in	mm	in	mm	in	mm	in	mm	in	mm	in	mm	deg
Duplex	111	2835	73.2	1860	159.8	4059	133.9	3400	25.0	636	51.0	1295	3/5
	119	3035	77.2	1960	167.7	4259	141.7	3600	29.0	736	54.9	1395	3/5
	131	3330	82.8	2105	179.3	4554	153.3	3895	34.6	881	60.6	1540	3/5
	139	3550	87.6	2225	188.0	4774	162.0	4115	39.4	1001	65.4	1660	3/5
Triplex	147	3735	93.1	2365	195.2	4959	169.3	4300	44.9	1141	70.9	1800	3/5
	171	4345	77.2	1960	219.3	5569	193.3	4910	29.0	736	54.9	1395	3/5
	188	4785	82.9	2105	236.6	6009	210.6	5350	34.7	881	60.6	1540	3/5
	201	5125	87.6	2225	250.0	6349	224.0	5690	39.4	1001	65.4	1660	3/5
Quad	217	5525	93.1	2365	265.7	6749	239.8	6090	44.9	1141	70.9	1800	3/5
	237	6025	100.4	2550	285.4	7249	259.4	6590	52.2	1326	78.1	1985	3/5
	222	5695	78.5	1994	268.6	6822	246.1	6251	32.4	823	54.8	1392	3/3
	240	6105	83.0	2108	286.6	7280	264.1	6708	36.9	937	59.3	1506	3/3
	258	6560	89.0	2261	304.6	7737	282.1	7165	42.9	1090	65.3	1659	3/3

Mast Table ETG 340

Duplex	111	2840	73.2	1860	159.8	4059	133.9	3400	25.2	641	51.2	1300	3/5
	119	3040	77.2	1960	167.7	4259	141.7	3600	29.2	741	55.1	1400	3/5
	131	3335	82.8	2105	179.3	4554	153.3	3895	34.6	886	60.6	1545	3/5
	139	3555	87.6	2225	188.0	4774	162.0	4115	39.6	1006	65.6	1665	3/5
Triplex	147	3740	93.1	2365	195.2	4959	169.3	4300	45.1	1146	71.1	1805	3/5
	171	4350	77.2	1960	219.3	5569	193.3	4910	29.2	741	55.1	1400	3/5
	188	4790	82.9	2105	236.6	6009	210.6	5350	34.9	886	60.8	1545	3/5
	201	5130	87.6	2225	250.0	6349	224.0	5690	39.6	1006	65.6	1665	3/5
Quad	217	5530	93.1	2365	265.7	6749	239.8	6090	45.1	1146	71.1	1805	3/5
	237	6030	100.4	2550	285.4	7249	259.4	6590	52.4	1331	78.3	1990	3/5
	222	5700	78.5	1994	268.6	6822	246.1	6251	32.5	826	55	1397	3/3
	240	6110	83.0	2108	286.6	7280	264.1	6708	37	940	59.5	1511	3/3
	258	6565	89.0	2261	304.6	7737	282.1	7165	43	1092	65.5	1664	3/3
	276	7025	95.0	2413	322.6	8194	300.1	7623	49	1245	71.5	1816	3/3

Mast Table ETG 350 / ETG 355

Triplex	170	4320	77	1956	217.1	5514	194.6	4943	30	762	52.5	1334	3/5
	188	4775	83	2108	235.1	5972	212.6	5400	36	914	58.5	1486	3/5
	201	5105	88	2235	248.1	6302	225.6	5730	41	1041	63.5	1613	3/5
	217	5485	95	2413	263.1	6683	240.6	6111	48	1219	70.5	1791	3/5
	235	5970	104	2642	282.1	7165	259.6	6594	57	1448	79.5	2019	3/5
Quad	224	5700	79	2007	270.6	6873	248.4	6309	33	838	55.5	1410	3/3
	240	6110	83	2108	286.6	7280	264.1	6708	37	940	59.5	1511	3/3
	258	6565	89	2261	304.6	7737	282.1	7165	43	1092	65.8	1671	3/3
	276	7025	95	2413	322.6	8194	300.1	7623	49	1245	71.5	1816	3/3

Technical Data

as of: 01/2010

Characteristics	0		ETG 230		ETG 235		ETG 340		ETG 350		ETG 355		
	1	Capacity at rated load center	lb kg	3,000	1,360	3,500	1,588	4,000	1,810	5,000	2,260	5,500	2,500
2	Capacity load center - distance from fork face	in mm	24	600	24	600	24	600	24	600	24	600	
3	Power voltage		36		36		36		36		36		
4	Tire type drive / steer		solid rubber / poly		solid rubber / poly		solid rubber / poly		poly / poly		poly / poly		
5	Wheels (x=driven)		2 x / 2.0		2 x / 2.0		2 x / 2.0		2 x / 2.0		2 x / 2.0		
Dimensions	6	Lift with standard max. fork height	in mm	131	3,330	131	3,330	131	3,330	131	3,335	131	3,335
	7	Duplex mast free fork height	in mm	34.0	880	34.0	880	34.0	885	34.0	885	34.0	885
	8	Fork width	in mm	3.9	100	3.9	100	3.9	100	3.9	100	3.9	100
	9	Fork thickness	in mm	1.4	35	1.4	35	1.6	40	1.6	40	1.8	45
	10	Fork spacing - out-to-out minimum	in mm	7.8	200	7.8	200	7.8	200	7.8	200	7.8	200
		Fork spacing - out-to-out maximum	in mm	36.5	920	36.5	920	36.5	920	36.5	920	36.5	920
	11	Tilt angle - forward / backward	deg	3° / 5°		3° / 5°		3° / 5°		3° / 5°		3° / 5°	
	12	Mast width	in mm	22.8	580	22.8	580	22.8	580	22.8	580	22.8	580
	13	Length to fork face	in mm	67.5	1,715	67.5	1,715	73.0	1,855	76.2	1,936	77.4	1,966
	14	Overall chassis width	in mm	41.0	1,040	41.0	1,040	41.0	1,040	41.0	1,040	41.0	1,040
	15	Overall lowered height (mast)	in mm	93.0	2,365	93.0	2,365	93.0	2,365	93.0	2,365	93.0	2,365
16	Overall lowered height to top of overhead guard	in mm	88.0	2,240	88.0	2,240	88.0	2,240	88.0	2,240	88.0	2,240	
17	Overall height with extended mast	in mm	196	4,960	196	4,960	196	4,960	196	4,960	196	4,960	
18	Step height	in mm	8.0	204	8.0	204	8.0	204	8.0	204	8.0	204	
19	Battery roller height	in mm	7.3	185	7.3	185	7.3	185	7.3	185	7.3	185	
20	Minimum outside turning radius	in mm	55.5	1,410	55.5	1,410	60.4	1,535	64.0	1,625	65.0	1,650	
21	Minimum aisle - 90 deg. stack - zero clearance [1]	in mm	67.5	1,715	67.5	1,715	73.0	1,855	76.4	1,940	77.6	1,970	
Performance	22	Travel speed - tractor first (loaded / empty)	mph km/h	7.7 / 7.7	12.4 / 12.4	7.7 / 7.7	12.4 / 12.4	7.7 / 7.7	12.4 / 12.4	7.0 / 7.3	11.2 / 11.6	7.3 / 7.3	11.8 / 11.8
	23	Travel speed - forks first (loaded / empty)	mph km/h	7.7 / 7.7	12.4 / 12.4	7.7 / 7.7	12.4 / 12.4	7.7 / 7.7	12.4 / 12.4	7.0 / 7.3	11.2 / 11.6	7.3 / 7.3	11.8 / 11.8
	24	Lift speed loaded (triplex)	fpm m/s	80	0.40	75	0.38	70	0.35	58	0.29	55	0.27
	25	Lift speed empty (triplex)	fpm m/s	110	0.55	110	0.55	110	0.55	110	0.55	110	0.55
	26	Lower speed loaded (triplex)	fpm m/s	95	0.48	95	0.48	95	0.48	90	0.45	90	0.45
	27	Lower speed empty (triplex)	fpm m/s	90	0.45	90	0.45	90	0.45	80	0.40	80	0.40
	28	Maximum fork height with rated load	in mm	188	4,780	188	4,780	188	4,780	188	4,780	188	4,780
	29	Gradeability - loaded (maximum)	%	15		15		15		15		15	
	30	Gradeability - empty (maximum)	%	15		15		15		15		15	
	Chassis	31	Truck weight - empty with min. weight battery	lb kg	7,700	3,500	8,400	3,800	9,250	4,200	10,450	4,750	11,150
32		Battery weight (minimum)	lb kg	2,000	910	2,000	910	2,600	1,180	2,900	1,320	2,900	1,320
33		Battery weight (maximum)	lb kg	2,300	1,050	2,300	1,050	2,900	1,320	3,250	1,480	3,250	1,480
34		Chassis type (stand / sit)		stand		stand		stand		stand		stand	
35		Wheel base	in mm	45.9	1,167	45.9	1,167	51.0	1,295	54.5	1,385	55.5	1,410
36		Ground clearance - center of wheelbase	in mm	4.0	104	4.0	104	4.0	104	4.0	104	4.0	104
37		Ground clearance - lowest point at mast	in mm	2.0	51	2.0	51	2.0	51	2.0	51	2.0	51
38		Tire size - drive	in mm	16.25 x 7	413 / 178	16.25 x 7	413 / 178	16.25 x 7	413 / 178	16.25 x 7	413 / 178	16.25 x 7	413 / 178
39		Tire size - steer	in mm	10.5 x 4	267 / 102	10.5 x 4	267 / 102	10.5 x 4	267 / 102	10.5 x 5	267 / 127	10.5 x 5	267 / 127
40		Brake type		electric disc		electric disc		electric disc		electric disc		electric disc	
Electrical	41	Traction motor type		AC induction		AC induction		AC induction		AC induction		AC induction	
	42	Traction motor output kW (60 min. rating)	HP kW	5.9	4.4	5.9	4.4	5.9	4.4	5.9	4.4	5.9	4.4
	43	Pump motor type		AC induction		AC induction		AC induction		AC induction		AC induction	
	44	Pump motor output kW (20% rating)	HP kW	14.7	11.0	14.7	11.0	14.7	11.0	17.6	13.2	17.6	13.2
	45	Steer motor type		AC induction		AC induction		AC induction		AC induction		AC induction	
	46	Steer motor output kW (60 min. rating)	HP kW	0.53	0.4	0.53	0.4	0.53	0.4	0.53	0.4	0.53	0.4
	47	Battery maximum capacity - A/H (6 hr. rating)		1,240		1,240		1,240		1,385		1,385	
	48	Battery compartment length (front - back)	in mm	16.3	413	16.3	413	21.3	540	23.7	603	23.7	603
	49	Battery compartment width (side - side)	in mm	38.6	980	38.6	980	38.6	980	38.6	980	38.6	980
	50	Battery compartment height	in mm	31.7	805	31.7	805	31.7	805	31.7	805	31.7	805

This specification sheet only provides technical values for the standard truck. Non-standard tires, different masts, additional equipment, etc. could produce other values. Rights reserved for technical changes and improvements.

The Jungheinrich Advantage

Optimal visibility / dependable hydraulics

The Jungheinrich mast offers optimal visibility between and around the front overhead guard legs for secure handling during travel and pick-up and for increased efficiency in trailers and during drive-in racking applications.

- AC-powered transistor hydraulic control
- Industry-leading lift speeds with smooth and precise load control
- Pump motor, drive motor and control panel feature individual thermal protection systems to guard against overheating
- Fork heights up to 276 inches



Optimized visibility

Spacious and ergonomic operator compartment

The spacious operator compartment combines comfort and functionality to improve operator efficiency.

- Location of operator controls allows for a flexible side stance position within the compartment
- Low-effort electric power steering for precise control with minimal effort.
- Display with multiple hour meters, travel speed, travel direction, load weight display, fault code read-out and battery state-of-charge gauge with lift monitoring.

- Intuitive multifunction control handle offers simultaneous control of drive, lift, lower and auxiliary hydraulic functions.
- Anti-fatigue floor mat and generous padding for knees, hips, back and armrest.
- Dual pedal design requires the operator to have their right foot on the presence pedal for all drive and hydraulic functions to operate. Additionally, the operator must have their left foot on the traction pedal to induce travel.
- Storage space for operator's equipment.



Productivity through ergonomics

Multifunction Control Handle

The intuitive, multifunction control handle is centrally positioned for easy access to truck functions.

- Maximum efficiency through simultaneous operation of travel, lift and one auxiliary function.
- Rounded palm rest helps reduce operator fatigue over long shifts.

Operator Display

The easy-to-read control panel displays the information the operator needs to perform daily tasks.

- Travel speed.
- Travel direction.
- Battery state-of-charge.
- Load weight display.
- Text messaging of truck status and limiting conditions.
- Informational and warning icons.
- Language options.

Customized Programming

Performance profiling allows you to customize drive and hydraulic settings based on the application, individual operator experience level and personal preferences. All display-based programming, performance requests and information queries can be performed with easily accessible buttons.

Powerful 3-phase AC technology

3-phase AC technology for drive, lift and steering offers several advantages over traditional direct current motors.

- Rapid acceleration and precise speed control
- Smooth directional changes
- Greater operational availability due to maintenance-free motors without carbon brushes.
- Longer operating times due to energy reclamation during braking.

Efficient steering and maneuverability

A truck able to handle serious load capacities while remaining exceptionally maneuverable, the stand-up end control is designed for extensive shuttling, frequent entering and exiting of trailers and tight turns in narrow spaces. The large, dual drive tires are independently controlled for improved maneuvering.



Operator control



1-877-JH-FORKS

www.jungheinrich-lift.com

JUNGHEINRICH
Well worthwhile